



CorePro LEDspot MV

CorePro LEDspotMV 6.5-65W GU10 830 36D

CorePro LEDspots are a perfect fit for spot lighting and deliver warm halogen-like light. They are compatible with most existing fixtures with a GU10 or E14 holder and are designed as a retrofit replacement for halogen or incandescent spots. LEDlamps deliver huge energy savings and minimize maintenance cost.

Product data

• General Characteristics

Cap-Base	GU10
Bulb	MR16 [MR 16inch/50mm]
Bulb Finish	White
Rated Lifetime (hours)	15000 hr
Nominal Lifetime hours	15000 hr

• Light Technical Characteristics

Color Code	830
Color Designation (text)	White
Beam Angle	36 D
Beam Description	36D [Medium beam]
Correlated Color Temperature	3000 K
Luminous Flux	500 Lm
Luminous Intensity	1100 cd
Color rendering index	80
Luminous Efficacy Lamp	71 Lm/W
Color Temperature	3000 K [CCT 3000K]
Rated Luminous Flux	500 Lm
LLMF - end nominal lifetime	70 %
Colour consistency	6 steps
Rated Beam Angle	50 D
Luminous flux in 90° cone	460 Lm

• Electrical Characteristics

Wattage	6.5 W
Wattage Technical	6.5 W

Voltage	220-240 V
Line Frequency	50-60 Hz
Power Factor	0.5 -
Lamp Current mA	53 mA
Dimmable	No
Wattage Equivalent	65 W
Rated Wattage	6.5 W
Starting Time	0.5 (max) s
Warm-up Time to 60% Light Outp	instant full light
Suitable for accent lighting	Yes

• Environmental characteristics

Energy Efficiency Label (EEL)	A+
Energy consumption kWh/1000h	7 kWh

• Measuring Conditions

Switching cycle	50000X
-----------------	--------

• Product Dimensions

Overall Length C	55 mm
Diameter D	50 mm

• Product Data

Order code	929001165502
Full product code	929001165502
Full product name	CorePro LEDspotMV 6.5-65W GU10 830 36D
Order product name	CorePro LEDspotMV 6.5-65W GU10 830 36D



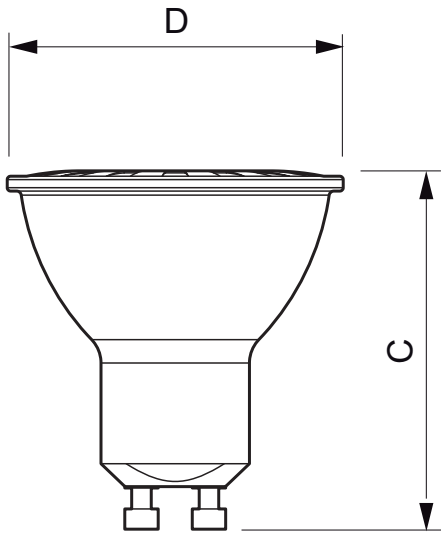
PHILIPS

CorePro LEDspot MV

Pieces per pack 1
 Packing configuration 10
 Packs per outerbox 10
 Bar code on pack - EAN1 8718696498231

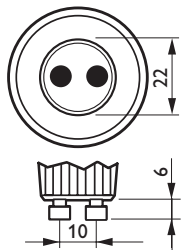
Bar code on outerbox - EAN3 8718696498248
 Logistic code(s) - 12NC 929001165502
 Net weight per piece 0.038 kg

Dimensional drawing



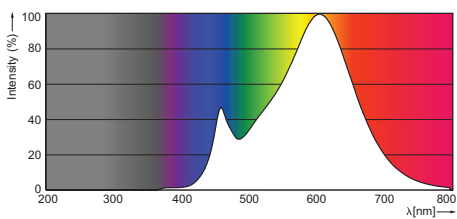
CorePro LEDspotMV 6.5-65W GU10 830 36D

Product	C (Norm)	C1 (Max)	D (Norm)	D1 (Norm)
LED 6.5-65W GU10 830 36D	55	-	50	-



GU10

Photometric data



6.5-65W GU10 MR16 /830



© 2015 Koninklijke Philips N.V. (Royal Philips)
 All rights reserved.

Specifications are subject to change without notice. Trademarks are the property of Koninklijke Philips N.V. (Royal Philips) or their respective owners.

www.philips.com/lighting

2015, October 17
 data subject to change