



MASTER LEDspot MV Value

MAS LEDspotMV D 5.4-50W GU10 927 25D

Delivering a warm, halogen-like accent beam, MASTER LEDspot MV is a perfect fit for spot lighting (track, corridors, lift lobbies, display cases and cabinets) in the hospitality industry. It is particularly suitable to public areas where the light is on 24/7, such as lobbies, corridors, stairwells. MASTER LEDspot MV delivers huge energy savings and minimises maintenance cost without any compromise on brightness, enabling hospitality owners to achieve a return on their investment within one year. These LEDspots are compatible with most existing fixtures with a GU10 holder and designed as a retrofit replacement for halogen or incandescent spots. The dimmable versions drive further efficiencies, while helping to create the desired atmosphere. For environments where the right atmosphere needs to be created (e.g. bars and restaurants), the "DimTone" feature could be useful. This is a LED feature that creates a warmer tone once light is dimmed down to lower intensities.

Benefits

• General Information

Cap base	GU10 [GU10]
Nominal lifetime (nom.)	50000 h
Technical type	5.4-50W

• Light Technical

Beam Angle (Nom)	25 °
Light distribution	25D [Medium beam]
Lamp Luminous Flux 25°C EL (Nom)	395 lm
Lamp Luminous Flux (Nom)	395 lm
Luminous intensity (nom.)	1350 cd
Colour Designation	Warm white (WW)
Rated beam angle	25 °
Colour Temperature, horizontal (Nom)	2700 K
Lamp Luminous Efficacy EM (Nom)	66.67 lm/W

Colour consistency	6 steps
Colour Rendering Index,horiz (Nom)	90
LLMF at end of nominal lifetime (nom.)	70 %
Luminous Flux In 90° Cone (Rated)	360 lm

• Operating and Electrical

Input frequency	50-60 Hz
Power (Rated) (Nom)	5.4 W
Lamp current (nom.)	28 mA
Wattage equivalent	50 W
Starting time (max.)	0.5 s
Warm-up time to 60% light (nom.)	instant full light
Power factor (nom.)	0.5
Voltage (Nom)	220-240 V

PHILIPS

MASTER LEDspot MV Value

• Temperature

T-Case maximum (nom.) 84 °C

• Controls and Dimming

Dimmable yes

• Approval and Application

Suitable for accent lighting Yes
Energy efficiency label (EEL) A+
Energy Consumption kWh/1000 h 6 kWh

• Product Data

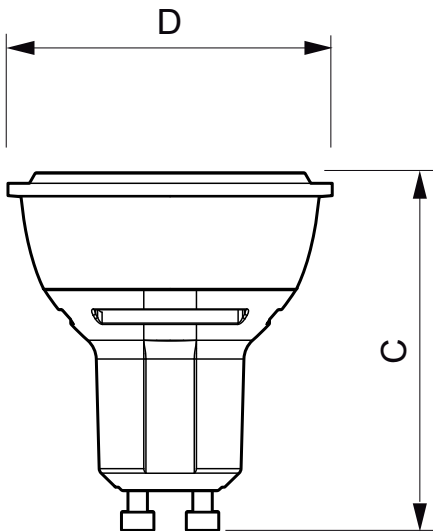
Full product code 871869645715300
Order product name MAS LEDspotMV D 5.4-50W GU10 927 25D
EAN/UPC – product 8718696457153
Order code 929001138602
Numerator – 1
quantity per pack
Numerator – packs 10
per outer box
Material no. (12NC) 929001138602
Net weight (piece) 0.036 kg

Warnings and Safety

• Operating temperature range is between -20° C and 45° C ambient

- Only to apply in dry or damp locations and most of open fixtures with lamp-holders that offer sufficient space (10 mm free air space)
- Not intended for use with emergency light fixtures or exit lights

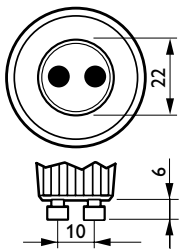
Dimensional drawing



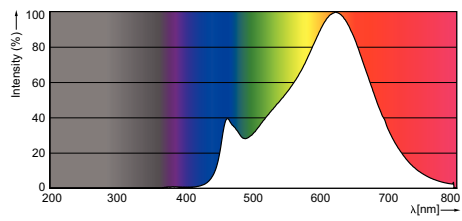
3.5-35W, 4-35W, 4.3-50W, 4.5-50W, 5.4-50W, 5.5-50W, 6-50W GU10

LED D 5.4-50W GU10 927 25D

Product	D	C
MAS LEDspotMV D 5.4-50W GU10 927 25D	50 mm	57 mm



Photometric data



© 2016 Philips Lighting Holding B.V.
All rights reserved.

Specifications are subject to change without notice. Trademarks are the property of Koninklijke Philips N.V. (Royal Philips) or their respective owners.

www.philips.com/lighting

2016, March 4
data subject to change