



Aluline 111

Alu111 50W 4000h G53 12V 24D 1CT/6

Low-voltage halogen burner in decorative aluminum reflector equipped with antiglare cap. Ideal solution for high-end modern luminaires, putting your objects in the spotlight. Aluminum coating prevents heat in the backlight. Low-voltage halogen burner in decorative aluminum reflector equipped with antiglare cap. Ideal solution for high-end modern luminaires, putting your objects in the spotlight. Aluminum coating prevents heat in the backlight.

Product data

• General Information

Cap-Base	G53 [G53]
Bulb Shape	R111 [R 111mm]
Operating Position	UNIVERSAL [Any or Universal (U)]
Gas Filling	Krypton
Nominal Lifetime (Nom)	4000 h

• Light Technical

Beam Angle (Nom)	24 °
Luminous Flux (Nom)	507 lm
Luminous Flux (Rated) (Nom)	507 lm
Luminous Intensity (Max)	2900 cd
Correlated Color Temperature (Nom)	2800 K
Color Rendering Index (Nom)	100
LLMF At End Of Nominal Lifetime (Nom)	80 %

• Operating and Electrical

Power (Rated) (Nom)	50.0 W
Lamp Current (Nom)	0.24 A
Wattage Equivalent	62 W
Starting Time (Nom)	0.0 s
Warm Up Time To 60% Light (Nom)	instant full light s

Power Factor (Nom)	1
Voltage (Nom)	12 V

• Controls and Dimming

Dimmable	Yes
----------	-----

• Approval and Application

Energy Efficiency Label (EEL)	C
Energy Consumption kWh/1000 h	53 kWh

• Luminaire Design Requirements

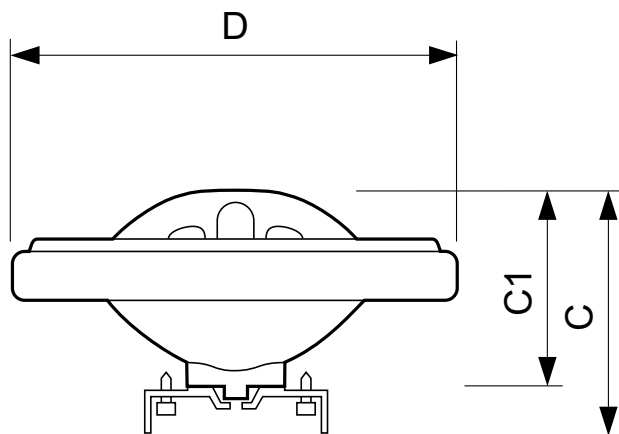
Bulb Temperature (Max)	900 °C
Cap-Base Temperature (Max)	350 °C

• Product Data

Full product code	87186965886600
Order product name	Alu111 50W 4000h G53 12V 24D 1CT/6
EAN/UPC - Product	8718696588666
Order code	925721417101
Numerator - Quantity Per Pack	1
Numerator - Packs per outer box	6
Material Nr. (12NC)	925721417101
Net Weight (Piece)	0.050 kg

PHILIPS

Dimensional drawing



G53, R111

Aluline 111 G53 12V 50W 24D

Product	D	C	C1
Alu111 50W 4000h G53 12V 24D 1CT/6	111 mm	67 mm	51 mm



© 2016 Philips Lighting Holding B.V.
All rights reserved.

Specifications are subject to change without notice. Trademarks are the property of Koninklijke Philips N.V. (Royal Philips) or their respective owners.

www.philips.com/lighting

2016, May 24
data subject to change