

MASTER LEDspot PAR

MASLEDspot D 8.5-75W 827WW PAR30S 25D



With its robust design and warm-white beam of light, these new-generation PAR lamps are ideal for general lighting and spot lighting in the hospitality industry. There is a choice of dimmable and non-dimmable versions. They are especially suitable for public areas such as lobbies, corridors, stairwells, where the light is always on. Compatible with existing fixtures with an E27 holder and designed for retrofit replacement of halogen/incandescent lamps, MASTER LEDspot PAR deliver huge energy savings and minimize maintenance cost without any reduction in brightness. The IP44-rated outdoor version of the PAR 38 lamp is one of the few energy-saving alternatives to incandescent PAR38 outdoor lamps available today. The dimmable PAR 20 is a perfect replacement for an incandescent spot. With its robust design and warm-white beam of light, these new-generation PAR lamps are ideal for general lighting and spot lighting in the hospitality industry. There is a choice of dimmable and non-dimmable versions. They are especially suitable for public areas such as lobbies, corridors, stairwells, where the light is always on. Compatible with existing fixtures with an E27 holder and designed for retrofit replacement of halogen/incandescent lamps, MASTER LEDspot PAR deliver huge energy savings and minimize maintenance cost without any reduction in brightness. The IP44-rated outdoor version of the PAR 38 lamp is one of the few energy-saving alternatives to incandescent PAR38 outdoor lamps available today. The dimmable PAR 20 is a perfect replacement for an incandescent spot.

Product data

• General Information

Cap-Base E27
Bulb Shape PAR30S [PAR 3.75 inch/95mm Short]

Nominal Lifetime (Nom) 40000 h
Switching Cycle 50000X

PHILIPS

MASTER LEDspot PAR

Technical Type 8-75W

• Light Technical

Color Code 827 [CCT of 2700K]
 Beam Angle (Nom) 25 °
 Light Distribution Medium beam 25°
 Luminous Flux 760 lm
 (Nom)
 Luminous Flux 760 lm
 (Rated) (Nom)
 Luminous Intensity 2600 cd
 (Nom)
 Color Designation Warm White (WW)
 Rated Beam Angle 25 °
 Correlated Color 2700 K
 Temperature (Nom)
 Luminous Efficacy 85 lm/W
 (rated) (Nom)
 Color Consistency 6 steps
 Color Rendering 80
 Index (Nom)
 LLMF At End Of 70 %
 Nominal Lifetime
 (Nom)
 Luminous Flux In 90° 720 lm
 Cone (Rated)

• Operating and Electrical

Input Frequency 50 to 60 Hz
 Power (Rated) 8.5 W
 (Nom)
 Lamp Current (Nom) 38 mA

Wattage Equivalent 75 W
 Starting Time (Max) 0.5 s
 Warm Up Time To 0.5 s
 60% Light (Max)
 Power Factor (Nom) 0.9
 Voltage (Nom) 230 V

• Controls and Dimming

Dimmable Yes

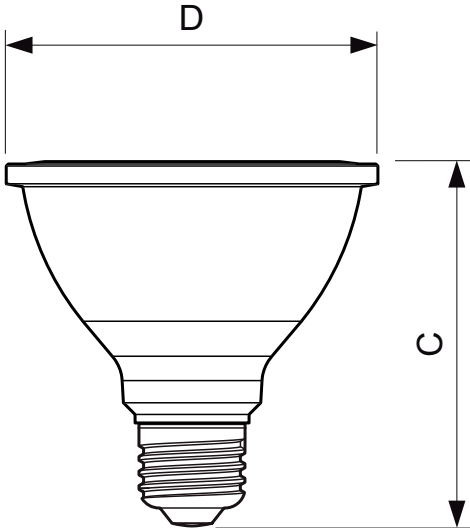
• Approval and Application

Suitable For Accent Lighting Yes
 Energy Efficiency Label (EEL) A+
 Energy Consumption 9 kWh
 kWh/1000 h

• Product Data

Full product code 871869657805600
 Order product name MASLEDspot D 8.5-75W 827WW
 PAR30S 25D
 EAN/UPC - Product 8718696578056
 Order code 929001244102
 Numerator - Quantity Per Pack 1
 Numerator - Packs per outer box 6
 Material Nr. (12NC) 929001244102
 Net Weight (Piece) 0.202 kg

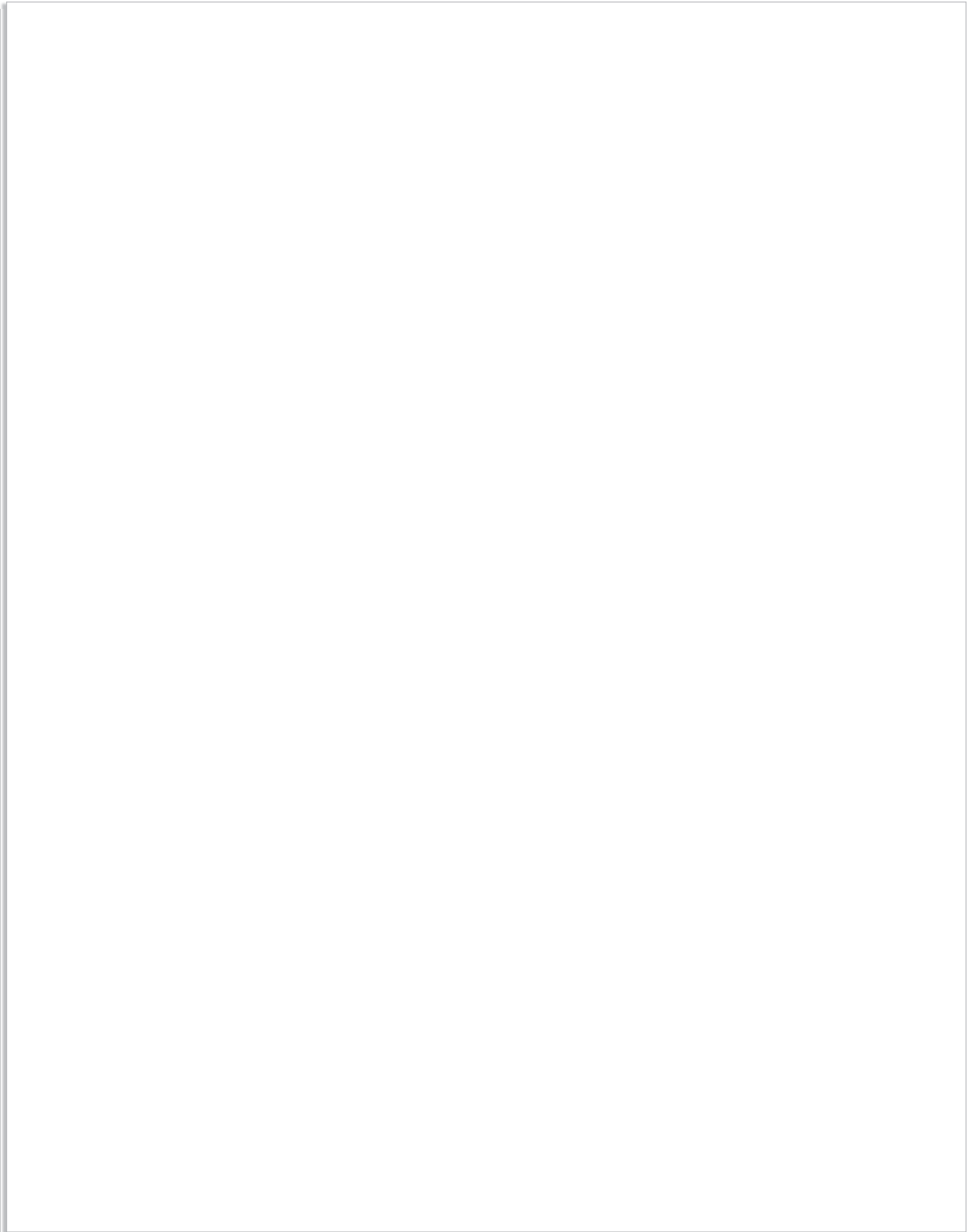
Dimensional drawing



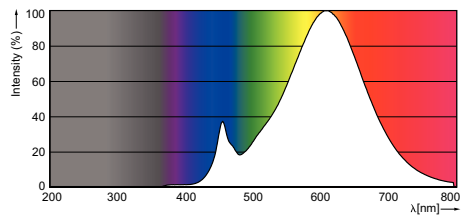
PAR30S 230V 8W-75W 635lm 25D 2700K E27 D

Product	D	C
MASLEDspot D 8.5-75W 827WW PAR30S 25D	92 mm	93 mm

Photometric data



MASTER LEDspot PAR



© 2016 Philips Lighting Holding B.V.
All rights reserved.

Specifications are subject to change without notice. Trademarks are the property of Koninklijke Philips N.V. (Royal Philips) or their respective owners.

www.philips.com/lighting

2016, June 10
data subject to change