

# helios ds & helios ds led (ip65)

universal, two-sided emergency lighting fitting

## Materials:

- white polycarbonate body
- opal polycarbonate cover

## Mounting:

- ceiling

## Specification:

- 230V 50Hz power supply
- Charge time - 24 hours
- Network power supply and battery charge LED indicator
- High-temperature nickel-cadmium batteries
- Fluorescent lamp T5 8W, compact lamp 11W or led 1,2 W diodes
- Insulation class II
- Protection level IP65
- Ambient temperature: 0°C to +40°C
- Electronic protection against complete battery discharge
- Emergency operation time 1, 2 or 3 hours
- Recognition distance 25 m
- Connecting clips 3 x 2,5 mm<sup>2</sup>
- Compatibility with standard specifications PN-EN 60598, PN-EN 1838
- Optional PT or RS

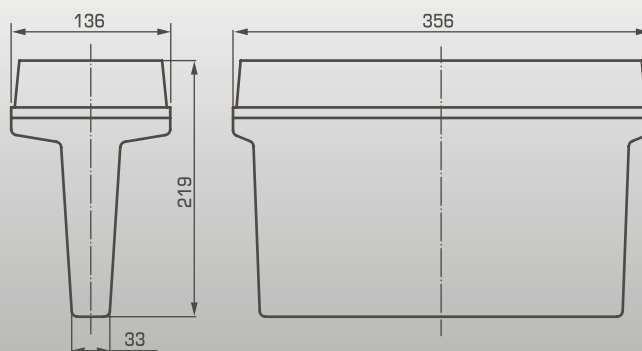


p. 24



## Legend:

SE - non maintained (dark)  
 SA - maintained (light)  
 PT - manual test button  
 RS - rubic monitoring system  
 AT - autotest  
 CB - for central battery evg AC/DC  
 HD - fitting helios IP 65  
 HDL - fitting helios led IP 65



## STANDARD

Configuration of fitting

type	time [h]			work		option		power [W]	
HD	1	2	3	SE	SA	PT	RS	8	11
HDL	1	2	3	SE	SA	PT	RS	1,2	

## AUTOTEST

Configuration of fitting

type	time [h]			work		autotest	power [W]	
HD	1	2	3	SE	SA	AT	8	11
HDL	1	2	3	SE	SA	AT	1,2	

## CENTRAL BATTERY

Configuration of fitting

type	central bat.	power [W]	
HD	CB	8	11
HDL	CB	1,2	

## LIGHT SOURCE

Characteristic

power [W]	cup
8	G5
11	2G7
LED 1,2	