

MASTER LEDspot LV

MAS LEDspotLV VLE D 8-50W 840 MR16 36D



Delivering a warm, halogen-like accent beam, MASTER LEDspot LV is an ideal retrofit solution for spot and general lighting applications in the hospitality industry. It is particularly suited to public areas such as receptions, lobbies, corridors, stairwells and washrooms, where the light is on all the time. The robustly designed MASTER LEDspot offers a choice of beam angles for a clearly defined beam spread. There is no UV or IR in the beam, making it suitable for illuminating heat-sensitive objects (food, organic materials, paintings, etc.). The patented intelligent driver enables broad compatibility with existing electromagnetic and electronic halogen transformers. The dimmable versions drive further efficiencies, while helping to create the desired atmosphere.

Product data

• General Information

Cap-Base	GU5.3
Bulb Shape	MR16 [2inch/50mm]
Nominal Lifetime (Nom)	25000 h
Switching Cycle	50000X
B50L70	25000
Technical Type	8-50W

• Light Technical

Color Code	840 [CCT of 4000K (841)]
Beam Angle (Nom)	36 °
Luminous Intensity (Nom)	1350 cd
Color Designation	Cool White (CW)
Rated Beam Angle	36 °
Correlated Color Temperature (Nom)	4000 K
Luminous Efficacy (rated) (Nom)	78.75 lm/W
Color Consistency	<6
Color Rendering Index (Nom)	80
LLMF At End Of Nominal Lifetime (Nom)	70 %
Luminous Flux In 90° Cone (Rated)	630 lm

• Operating and Electrical

Power (Rated) (Nom)	8 W
Lamp Current (Nom)	1000 mA
Wattage Equivalent	50 W
Starting Time (Nom)	0.5 s
Warm Up Time To 60% Light (Nom)	0.5 s
Power Factor (Nom)	0.7
Voltage (Nom)	12 V

• Temperature

T-Case Maximum (Nom)	75 °C
----------------------	-------

• Controls and Dimming

Dimmable	Yes
----------	-----

• Approval and Application

Energy Saving Product	Yes
Suitable For Accent Lighting	Yes
Energy Efficiency Label (EEL)	A+
Energy Consumption kWh/1000 h	9 kWh

PHILIPS

MASTER LEDspot LV

• Product Data

Full product code 871869657211500
Order product name MAS LEDspotLV VLE D 8-50W 840 MR16 36D
EAN/UPC - Product 8718696572115
Order code 929001241702

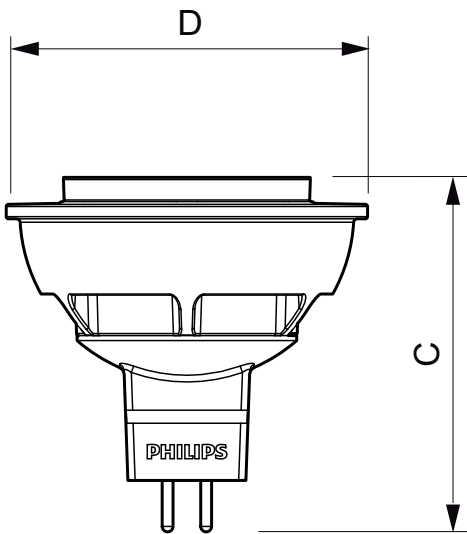
Numerator - Quantity Per Pack 1
Numerator - Packs per outer box 10
Material Nr. (12NC) 929001241702
Net Weight (Piece) 0.045 kg

Warnings and Safety

- Operating temperature range is between -20° C and 45° C ambient

- Only to apply in dry or damp locations and most of open fixtures with lamp-holders that offer sufficient space (10 mm free air space)
- Not intended for use with emergency light fixtures or exit lights

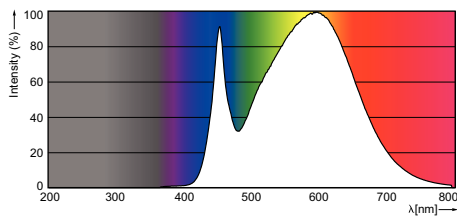
Dimensional drawing



MR16 Darkgray 12V 8.2W-50W 680lm 36D 40

Product	D	C
MAS LEDspotLV VLE D 8-50W 840 MR16 36D	50 mm	50 mm

Photometric data





© 2016 Philips Lighting Holding B.V.
All rights reserved.

Specifications are subject to change without notice. Trademarks are the property of Koninklijke Philips N.V. (Royal Philips) or their respective owners.

www.philips.com/lighting

2016, September 8
data subject to change